

LED GLOBAL LIGHT

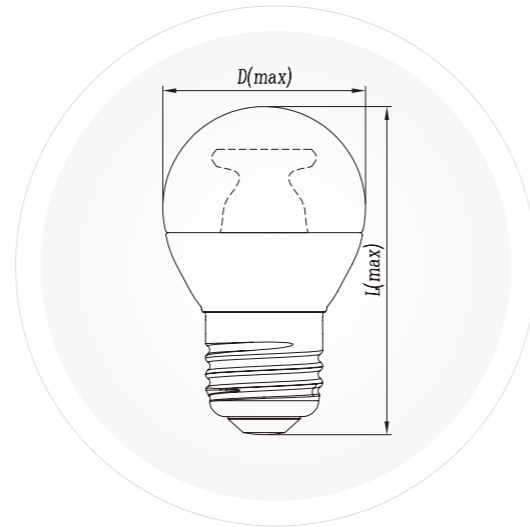
+ www.sotac.com.tw

+



G45/P45(G14) Series

Both Standard And Dimmable (5%-100%) Are Available
 Rated Voltage: 100V, 120V, 220-240V, 90-250V, 50/60Hz
 Color Temperature: 2700K,3000K,4000K,5000K,6500K
 Average Lifetime: 15000h,25000h,30000h
 Color Rendering Index(TYPE): 80,90
 Base: E12,E14,E17,E26,E27,B22d,B15d
 Beam Spread angle: 260°(Clear),180°(Frosted)
 Housing: Thermal plastics with metal heatsink
 UV and IR free, Mercury free
 RoHS compliant



G45



P45(G14)

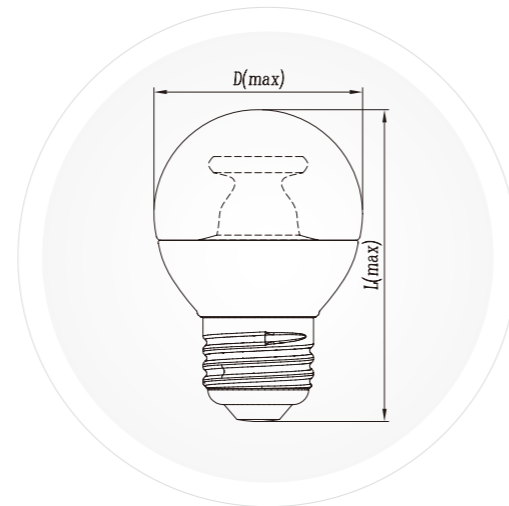
G45/P45(G14) Series

Series	Model Number		Watt (W)	Incandescent Wattage Comparison (W)	Luminous Flux(lm)	Base	M.O.L(mm/in)				M.O.D (mm/in)
	Standard	Dimmable					E12	E14	E26	E27	
Clear Series											
G45	K-L5G45A2-3W	K-L5G45A2D-3W	3	G45:25	250	E14 E27 B22d B15d	-	80/ 3.15	-	73/ 2.87	45/ 1.77
	K-L5G45A2-4W	K-L5G45A2D-4W	4	G45:30	320						
	K-L5G45A2-4.5W	K-L5G45A2D-4.5W	4.5	G45:35	380						
	K-L5G45A2-5W	K-L5G45A2D-5W	5	G45:40	470						
P45 (G14)	K-L3P45A2-3W K-L3G14A2-3W	K-L3P45A2D-3W K-L3G14A2D-3W	3	P45(G14):25	250	E12 E14 E17 E26 E27 B22d B15d	83/ 3.27	90/ 3.54	82/ 3.23	85/ 3.35	45/ 1.77
	K-L3P45A2-4W K-L3G14A2-4W	K-L3P45A2D-4W K-L3G14A2D-4W	4	P45(G14):30	320						
	K-L3P45A2-4.5W K-L3G14A2-4.5W	K-L3P45A2D-4.5W K-L3G14A2D-4.5W	4.5	P45(G14):35	380						
	K-L3P45A2-5W K-L3G14A2-5W	K-L3P45A2D-5W K-L3G14A2D-5W	5	P45(G14):40	470						
Frosted Series											
G45	K-L5G45-3W	K-L5G45D-3W	3	G45:25	250	E14 E27 B22d B15d	-	80/ 3.15	-	73/ 2.87	45/ 1.77
	K-L5G45-4W	K-L5G45D-4W	4	G45:30	320						
	K-L5G45-4.5W	K-L5G45D-4.5W	4.5	G45:35	380						
	K-L5G45-5W	K-L5G45D-5W	5	G45:40	470						
P45 (G14)	K-L3P45-3W K-L3G14-3W	K-L3P45D-3W K-L3G14D-3W	3	P45(G14):25	250	E12 E14 E17 E26 E27 B22d B15d	83/ 3.27	90/ 3.54	82/ 3.23	85/ 3.35	45/ 1.77
	K-L3P45-4W K-L3G14-4W	K-L3P45D-4W K-L3G14D-4W	4	P45(G14):30	320						
	K-L3P45-4.5W K-L3G14-4.5W	K-L3P45D-4.5W K-L3G14D-4.5W	4.5	P45(G14):35	380						
	K-L3P45-5W K-L3G14-5W	K-L3P45D-5W K-L3G14D-5W	5	P45(G14):40	470						

Product specifications subjects to change without prior notice.

G50(G16.5), G60(G19), G80(G25) Clear Series

Both Standard And Dimmable (5%-100%) Are Available
 Rated Voltage: 100V, 120V, 220-240V, 90-250V, 50/60Hz
 Color Temperature: 2700K,3000K,4000K,5000K,6500K
 Average Lifetime: 15000h,25000h,30000h
 Color Rendering Index(TYPE): 80,90
 Base: E12,E14,E17,E26,E27,B22d,B15d
 Beam Spread angle: 260°
 Housing: Thermal plastics with metal heatsink
 UV and IR free, Mercury free
 RoHS compliant



G80(G25)

+



G60(G19)

+



G50(G16.5)

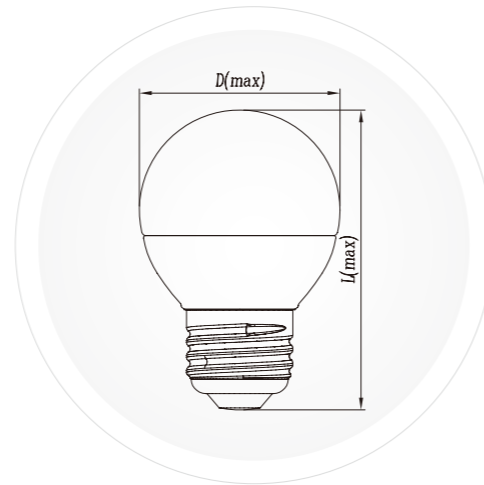
G50(G16.5), G60(G19), G80(G25) Clear Series

Series	Model Number		Watt (W)	Incandescent Wattage Comparison (W)	Luminous Flux(lm)	Base	M.O.L(mm/in)				M.O.D (mm/in)
	Standard	Dimmable					E12	E14	E26	E27	
Clear Series											
G50 (G16.5)	K-L6G50A2-3W (K-L6G16.5A2-3W)	K-L6G50A2D-3W (K-L6G16.5A2D-3W)	3	G50(G16.5):25	250	E12 E14 E17 E26 E27 B22d B15d	75/ 2.95	85/ 3.23	73.9/ 2.91	76/ 2.99	49/ 1.93
	K-L6G50A2-4W (K-L6G16.5A2-4W)	K-L6G50A2D-4W (K-L6G16.5A2D-4W)	4	G50(G16.5):30	350						
	K-L6G50A2-5W (K-L6G16.5A2-5W)	K-L6G50A2D-5W (K-L6G16.5A2D-5W)	5	G50(G16.5):40	500						
G60 (G19)	K-L6G60A2-3W (K-L6G19A2-3W)	K-L6G60A2D-3W (K-L6G19A2D-3W)	3	G60(G19):25	250	E12 E14 E17 E26 E27 B22d B15d	90.5/ 3.56	97/ 3.82	89.5/ 3.52	92.5/ 3.64	59/ 2.32
	K-L6G60A2-4W (K-L6G19A2-4W)	K-L6G60A2D-4W (K-L6G19A2D-4W)	4	G60(G19):30	350						
	K-L6G60A2-5W (K-L6G19A2-5W)	K-L6G60A2D-5W (K-L6G19A2D-5W)	5	G60(G19):40	500						
G80 (G25)	K-L6G80A2-4W (K-L6G25A2-4W)	K-L6G80A2D-4W (K-L6G25A2D-4W)	4	G80(G25):25	250	E26 E27 B22d	—	—	112/ 4.42	116/ 4.57	80/ 3.15
	K-L6G80A2-5W (K-L6G25A2-5W)	K-L6G80A2D-5W (K-L6G25A2D-5W)	5	G80(G25):30	350						
	K-L6G80A2-7W (K-L6G25A2-7W)	K-L6G80A2D-7W (K-L6G25A2D-7W)	7	G80(G25):40	500						
	K-L6G80A2-9W (K-L6G25A2-9W)	K-L6G80A2D-9W (K-L6G25A2D-9W)	9	G80(G25):60	810						

Product specifications subjects to change without prior notice.

G50(G16.5), G60(G19), G80(G25),G95(G30) G125(G40) Frosted Series

Both Standard And Dimmable (5%-100%) Are Available
 Rated Voltage: 100V, 120V, 220-240V, 90-250V, 50/60Hz
 Color Temperature: 2700K,3000K,4000K,5000K,6500K
 Average Lifetime: 15000h,25000h,30000h
 Color Rendering Index(TYPE): 80,90
 Base: E12,E14,E17,E26,E27,B22d,B15d
 Beam Spread angle: 180°
 Housing: Thermal plastics with metal heatsink
 UV and IR free, Mercury free
 RoHS compliant



G50(G16.5), G60(G19), G80(G25),G95(G30) G125(G40) Frosted Series

Series	Model Number		Watt (W)	Incandescent Wattage Comparison (W)	Luminous Flux(lm)	Base	M.O.L(mm/in)				M.O.D (mm/in)	
	Standard	Dimmable					E12	E14	E26	E27		
Frosted Series												
G50 (G16.5)	K-L6G50-3W (K-L6G16.5-3W)	K-L6G50D-3W (K-L6G16.5D-3W)	3	G50(G16.5):25	250	E12, E14, E17, E26, E27, B22d, B15d						
	K-L6G50-4W (K-L6G16.5-4W)	K-L6G50D-4W (K-L6G16.5D-4W)	4	G50(G16.5):30	350		75/ 2.95	82/ 3.23	73.9/ 2.91	76/ 2.99	49/ 1.93	
	K-L6G50-5W (K-L6G16.5-5W)	K-L6G50D-5W (K-L6G16.5D-5W)	5	G50(G16.5):40	500							
G60 (G19)	K-L6G60-3W (K-L6G19-3W)	K-L6G60D-3W (K-L6G19D-3W)	3	G60(G19):25	250	E12, E14, E17, E26, E27, B22d, B15d						
	K-L6G60-4W (K-L6G19-4W)	K-L6G60D-4W (K-L6G19D-4W)	4	G60(G19):30	350		90.5/ 3.56	97/ 3.82	89.5/ 3.52	92.5/ 3.64	59/ 2.32	
	K-L6G60-5W (K-L6G19-5W)	K-L6G60D-5W (K-L6G19D-5W)	5	G60(G19):40	500							
G80 (G25)	K-L3G80-4W (K-L3G25-4W)	K-L3G80D-4W (K-L3G25D-4W)	4	G80(G25):25	250	E26, E27, B22d						
	K-L3G80-5W (K-L3G25-5W)	K-L3G80D-5W (K-L3G25D-5W)	5	G80(G25):30	350				112/ 4.42	116/ 4.57	80/ 3.15	
	K-L3G80-7W (K-L3G25-7W)	K-L3G80D-7W (K-L3G25D-7W)	7	G80(G25):45	500							
G95 (G30)	K-L2G95-6W (K-L2G30-6W)	K-L2G95D-6W (K-L2G30D-6W)	6	G95(G30):40	500	E26, E27, B22d						
	K-L2G95-8W (K-L2G30-8W)	K-L2G95D-8W (K-L2G30D-8W)	8	G95(G30):50	660				127/ 5.0	130/ 5.12	95/ 3.74	
	K-L2G95-10W (K-L2G30-10W)	K-L2G95D-10W (K-L2G30D-10W)	10	G95(G30):60	810							
G120 (G40)	K-L2G120-8W (K-L2G40-8W)	K-L2G120D-8W (K-L2G40D-8W)	8	G120(G40):50	660	E26, E27, B22d						
	K-L2G120-10W (K-L2G40-10W)	K-L2G120D-10W (K-L2G40D-10W)	10	G120(G40):60	810							
	K-L2G120-12W (K-L2G40-12W)	K-L2G120D-12W (K-L2G40D-12W)	12	G120(G40):75	1055				162/ 6.38	165/ 6.5	120/ 4.72	
	K-L2G120-14W (K-L2G40-14W)	K-L2G120D-14W (K-L2G40D-14W)	14	G120(G40):90	1350							
	K-L2G120-16W (K-L2G40-16W)	K-L2G120D-16W (K-L2G40D-16W)	16	G120(G40):100	1521							

Product specifications subjects to change without prior notice.